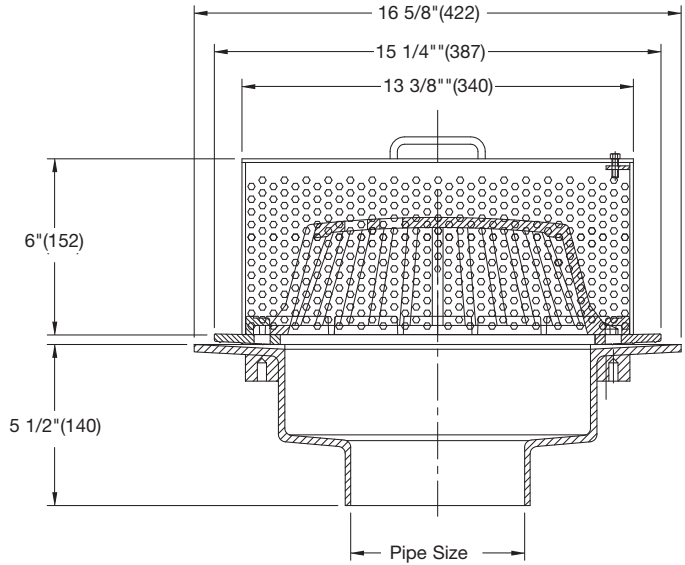


Green Roof Drains

GRD-690

Green Roof Shallow Planter Drain

Model Number	Outlet Size	WT., lbs.	List Price
GRD-692, 3, 4, 5, 6, 8, 10	2,3,4,5,6,8,10"	34	\$2,585.00



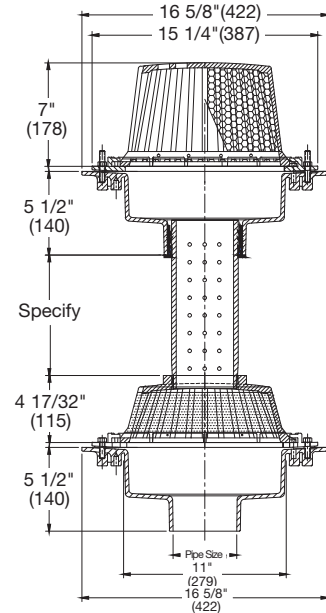
Options for GRD-690

Suffix	Description	List Price
-13	Galvanized Body & Clamp	\$956.50
-B	Sump Receiver	268.50
-D	Underdeck Clamp	240.50
-F	Deck Flange/Adj. Extension	659.50

GRD-730

Green Roof Large Multi-Level Planter Drain

Model Number	Outlet Size	WT., lbs.	List Price
GRD-732, 3, 4, 5, 6, 8, 10	2,3,4,5,6,8,10"	74	\$2,787.50



Options for GRD-730

Suffix	Description	List Price
-5	Sediment Bucket	\$256.00
-6	Vandal Proof	147.00
-13	Galvanized Body & Clamp	1,913.00
-B	Sump Receiver	268.50
-D	Underdeck Clamp	240.50
-F	Deck Flange/Adj. Extension	659.50

Supplied By:



877-903-7246

www.commercialplumbingsupply.com



Consult factory for all applications outside of listed parameters.
Prices do not include applicable taxes.